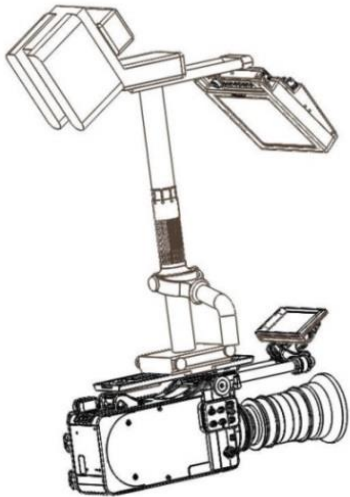
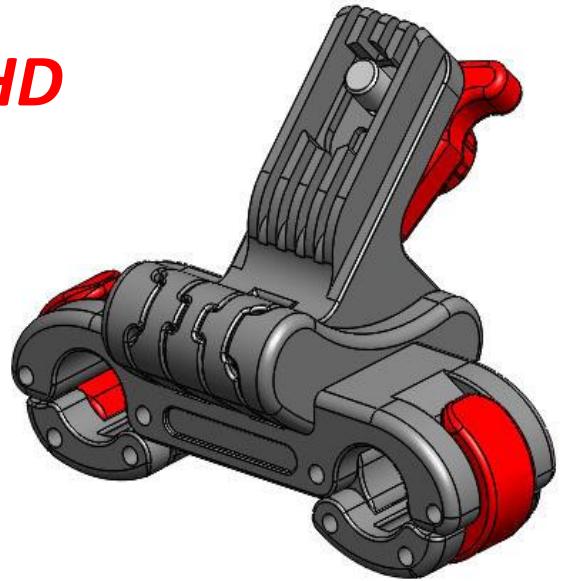


ClampX for StarliteHD

Ready for low mode

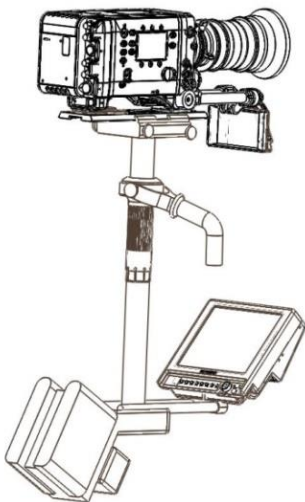
Ready to record



Low mode

The **StarliteHD** is here in the ideal position to be used as a frame control optional monitor.

The built-in VirtualHorizon enforces its utility.



Hi mode

The **StarliteHD** is here in the ideal position to be used as video recorder.

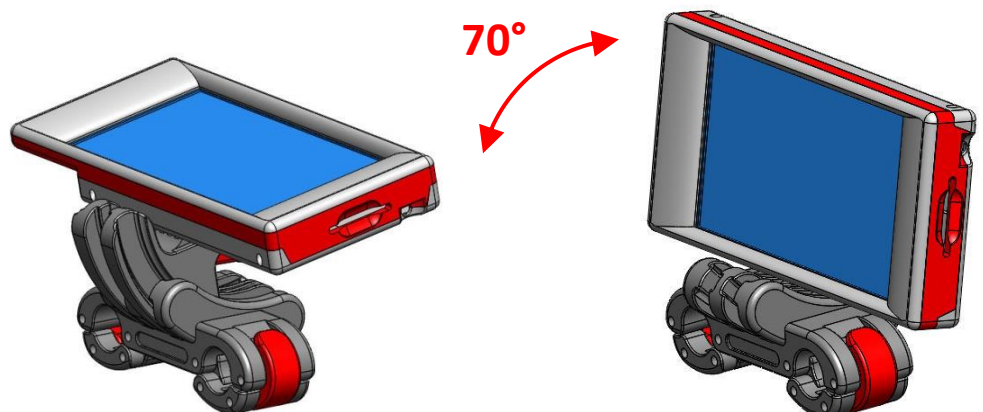
Its touch-screen is easily accessible to control the shots record and replay.

The **StarliteHD** can easily pivot on 70° around its center of gravity to switch from one mode to the other.

So no sled balance is necessary.

No lock mechanism is needed.

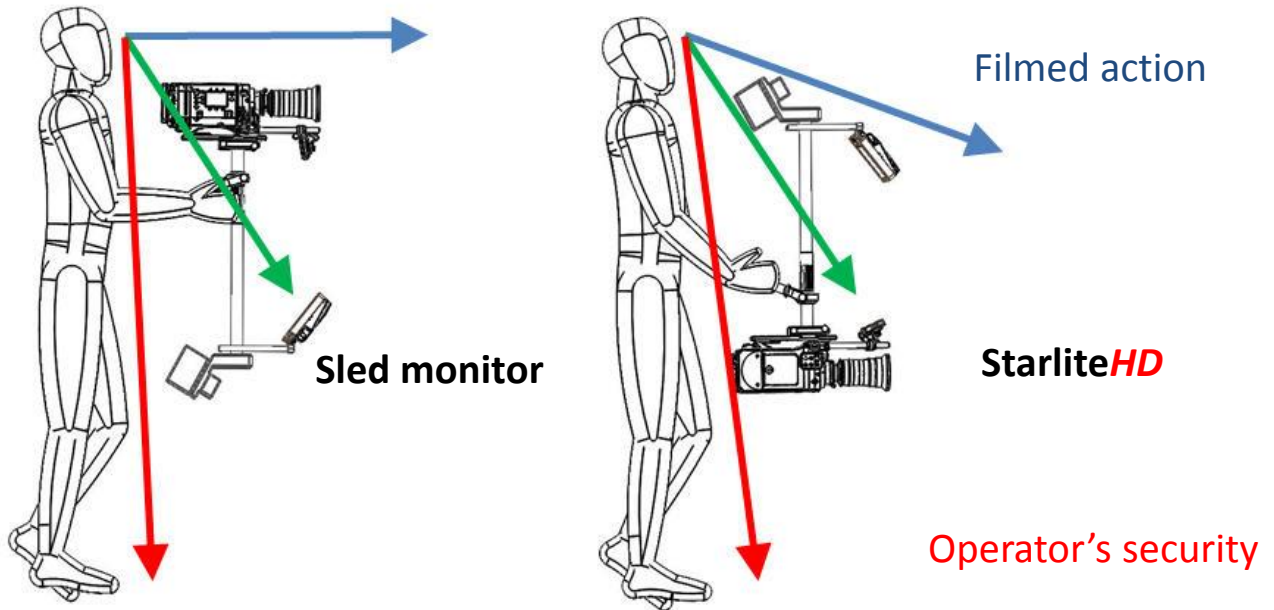
StarliteHD
Built-in VirtualHorizon
Video Recorder



The ClampX StarliteHD

A good compromise for the low mode

As shown below the green line is the ideal axis for the operator to control the monitor.



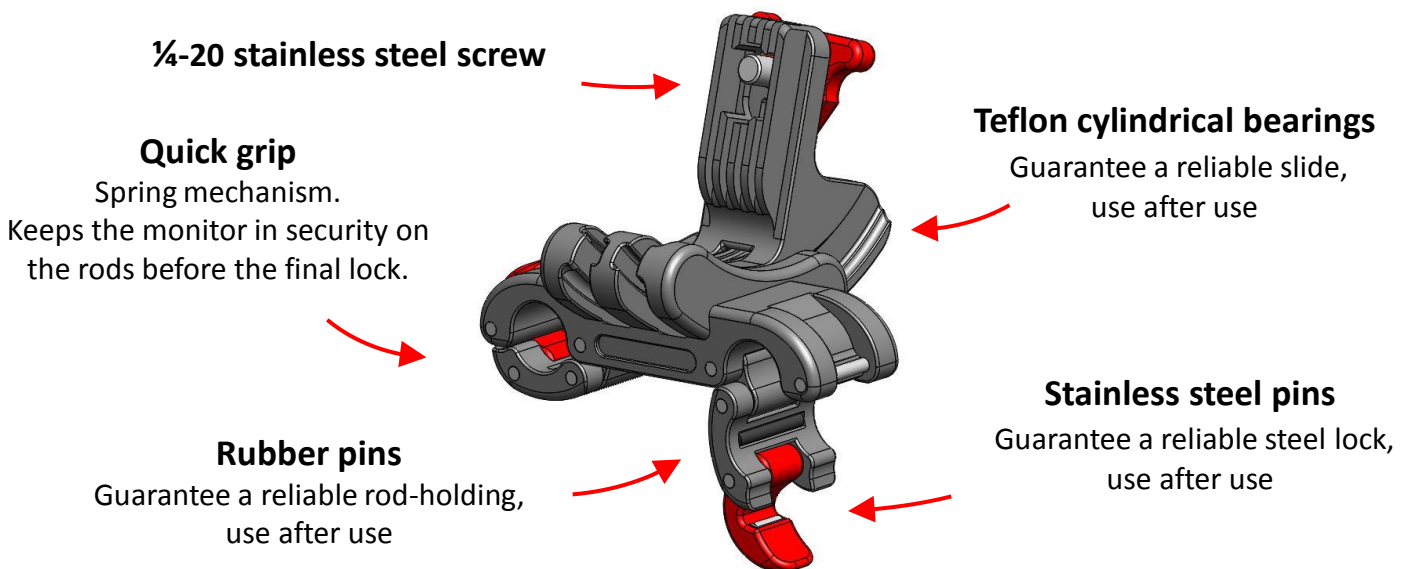
This green axis is often very difficult to obtain in low mode if you want to use the main sled monitor. That is why the **StarliteHD** is here an interesting compromise.

Being light enables the **StarliteHD** to stay built in the sled, which always keeps it ready to go.

The ClampX StarliteHD

Is an ABS printed product (FDM)

Creative design in the 3D printing world
 Good quality product-process using the industrial professional tools
 Very functional and reliable product



Patent pending and registered design
 The **ClampX** Series products are designed and made by Abracam sarl

info@abracam.eu